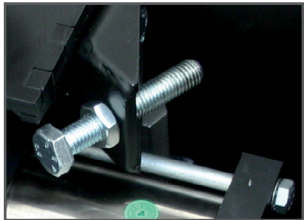
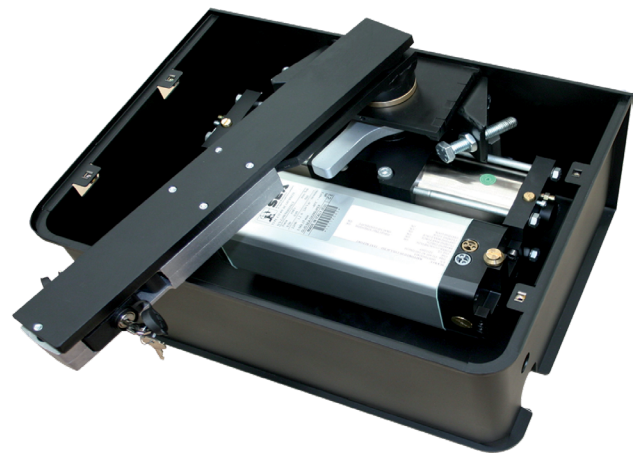




Compact 1600

Hydraulic in-ground operator for multifamily swing gate max leaf length of 16 Ft or 1600 Lbs max. weight



Adjustable Positive stops



Hydraulic slowdown open/close adjustment screw



Emergency hydraulic manual release

- ▶ The functioning of the operator through oil and the inner lubrication of all mechanical components grant a long time lasting
- ▶ Optional mechanical/electronic limit switch IP 67 for accurate operation on physical stops
- ▶ Adjustable mechanical positive stops in opening and closing in the box (optional) and hydraulic slowdown for smooth leaf approach
- ▶ Universal right/left hand side
- ▶ Available on request models with bigger pumps for an higher speed
- ▶ Duty cycles*: 45 per hour
- ▶ Over 100% more more life resistance

SPECIFICATIONS	COMPACT
Power supply	120V or 220V
Power Consumption (W)	300 W
Operating T° range (F°)	-4°F to 131°F*
Opening 90° (sec)	7 sec
Cycles/hour	45
Duty	residential condominium
Protection class	IP67
Max leaf length	16 Ft
Max leaf weight	1600 Lbs
Max opening angle (degrees)	140°
Maximum force output	56 daNm (5600 Nm)
Anti-crushing protection	by pass/ electr.**
Limit switch	mechanic optional
Slowdown	hydraulic
Battery backup	STAR 1000

UNIGATE - I

INVERTER technology



UNIGATE 2I (INVERTER)

- Digital control unit with LCD display
- Adjustable speed
- Adjustable acceleration/deceleration
- Continuous motor cycles
- High strength in slowdown
- Possibility to manage obstacle reverse

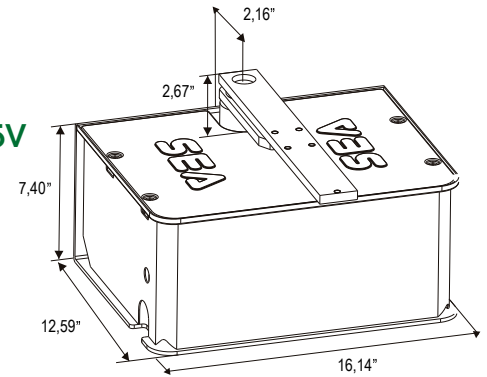
Integrated functions on the UNIGATE INVERTER

- 2 relay contacts
- 2 programmable GPIO outputs
- LE card on board for potentiometer
- Relay card on board
- PROBE heater card on board
- Management of two FV inverters for 2 motors or 2 PM modules for 4 motors
- Timer on board with buffer battery and management of 2 time bands
- 2 Ah switching transformer of which about 1.3 Ah free for other accessories



Advantages:

- + Duty cycles
- + Torque
- + Speed (adjustable)
- + one model 90V to 265V



ACCESSORIES



Battery backup
Kit for 110V AC motors with fan cooling system
48V batteries not provided



OIL
Green oil in 1 quart bottle



LOCK KIT 12V
Electric lock Counter-plate for horizontal or vertical mounting external and internal cylinder



PSCE
Mechanical / electronic stop (2 pcs for 1 motor) for better slowing down function



BOXCI
Self-carrying box in stainless steel



BOXC
Treated box (cataphoresis) with stainless steel lid



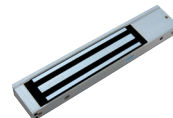
PROBE
kit probe to manage low temperature (card LE + cable 6 feet)



LOCKINTP
Manual release PLUS with lock (1 pc)



PSC Adjustable mechanical stops in opening and closing (1 pc) *



G-LOCK
Magnetic Lock

PACKAGE COMPACT
N.1 COMPACT
Carton box 16,9x9x6,6H inches - 30 Lbs
12 pcs for pallet
Carton box of Carrying box
16,9x9x 6,6H inches - 37 Lbs