

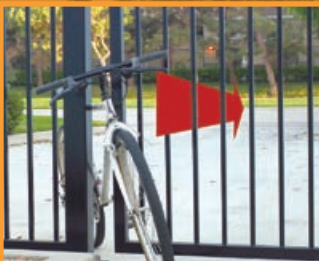
9100 VEHICULAR SLIDE GATE OPERATOR



Quiet, reliable & outstanding safety features

- Electronic magnetic limits eliminate old style mechanical switches that can wear out, break or fail
- Automatic self-setting limits mean no limit switch adjustments - ever
- Safety - built-in mechanical and electronic reverse system
- Advanced microprocessor control board features programming switches to set the mode of operation required and has ports for DKS plug-in loop detectors to simplify wiring
- 5-year limited warranty

RESIDENTIAL • COMMERCIAL



Entrapment Prevention
reverses gate when obstructed



Built In
power switch and reset switch



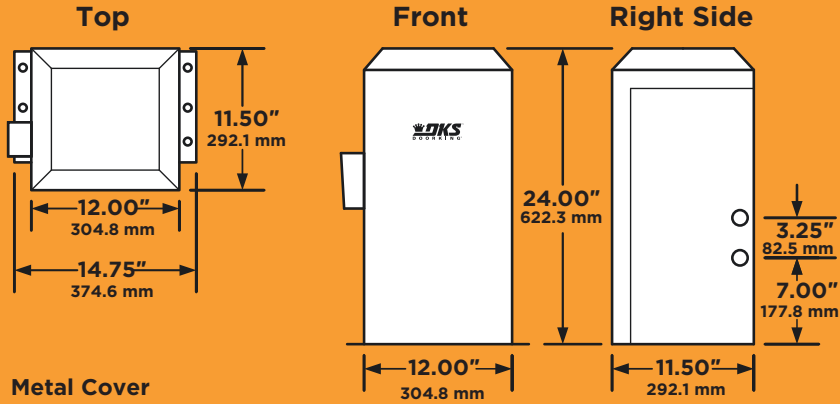
Fail-safe Release
never be locked out (or in)



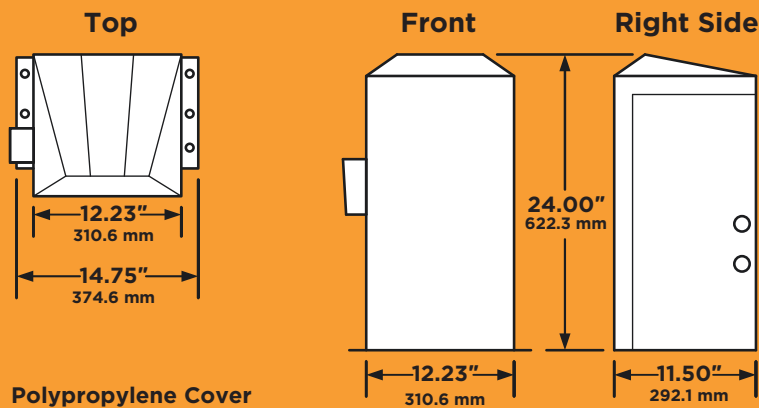
Unique Design
allows easy access to all mechanical parts



9100 VEHICULAR SLIDE GATE OPERATOR



Metal Cover



Polypropylene Cover

9100

CLASS OF OPERATION	I, II, III, IV
MAX GATE LENGTH*	30 ft (9.1 m)
MAX GATE WEIGHT*	1000 lb (454 kg)
MOTOR	1/2 HP Continuous Duty AC Motor
INPUT	115 VAC, 60 Hz, 5.4A

* Assumes gate is on level ground, in good condition with properly adjusted hardware. Other external factors may affect the performance of the gate operator.

TECHNICAL FEATURES

MECHANICAL

- Frame: G90 galvanized steel to prevent rusting
- Cover: Steel or polypropylene cover available
- Primary Reduction: Single cog belt
- Speed: Approximately 10 in/sec (254 mm/sec)
- Chain: Unit is shipped with 20 ft (6 m) of #40 roller chain, chain brackets, hardware
- Fail-safe release standard

GATE TRACKER™

Reporting output provides operator data to a DKS 1833, 1835, 1837 or 1838 access control system (requires 2358 expansion board)

OPTIONS

- Heater kit for cold weather environments
- Base plate for post mounting
- Fail-secure release kit

ELECTRICAL

- Automatic limit adjustment
- Auto-close timer 1-23 sec
- Selectable stop / reverse loop function
- Built in On / Off switch
- Built in alarm reset switch
- Programming switches allow you to set desired mode of operation
- Partial-open and anti-tailgating features
- Two 115 VAC convenience outlets for accessory transformers
- Automatically assumes fail-safe mode when an entrapment condition exists
- Ports for plug-in open and reverse loop detectors (DKS plug-in detectors only)

MISCELLANEOUS

- Environmental: 10°F to 140°F (-12°C to 62°C)
- Thermostatically controlled heater kit recommended for colder environments
- Operator requires monitored Type B1 and/or Type B2 entrapment protection devices
- Shipping weight approximately 125-185 lb (68-84 kg)

ETL Intertek
 Conforms To ANSI/CAN/UL 325:2017 Ed. 7
 Certified To CSA C22.2 #247

DoorKing®, Inc.

Access Control Solutions since 1948



120 S. Glasgow Avenue,
 Inglewood, California 90301 U.S.A.
 Tel: 310-645-0023 FAX: 310-641-1586
 www.doorking.com

© 2019 All Rights Reserved.
 Product specifications may
 change without notice. Rev. 7/19

MEMBER:



DISTRIBUTED BY:

