



LEPUS BOX 24 V dc

Chain sliding motor for **HEAVY DUTY APPLICATIONS**
max gate size **37 Ft** and **1750 Lbs**



Unique manual release with lever (no crank needed)



Ball bearing wheels to grant a better performance



External manual release in option for power failures



Electric motor immersed in oil bath

- Opening up to 37 Ft and 1750 Lbs
- Electric motor and reduction gear are continuously immersed in oil bath allowing long last operation and intensive use
- Mechanical clutch in oil bath as an anti-crush safety device
- Electronic clutch as an extra anti-crush safety device
- Reversing system in case of obstruction (ENCODER)
- Operator equipped with control panel USER 1 24Vdc DG Maxi
- Ball bearing wheels
- Buzzer alarm
- 24V version equipped with battery backup

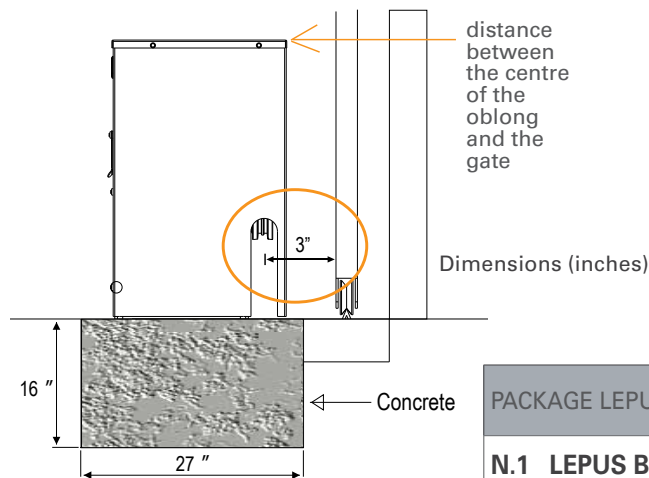
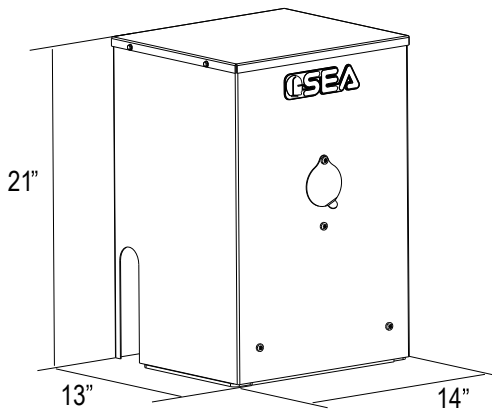


BATTERY Backup

SPECIFICATIONS	LEPUS BOX 24V FAST
Power supply	120V- 24V secondary
Power Consumption (W)	1/2 HP equivalent DC
Operating T° range (F°)	-4°F to 131°F
Leaf speed	1 1/2 Ft- sec
Duty cycles	90 %
Duty	commercial
Max gate weight	1750 Lbs
Max Gate length (Ft)	40 Ft
Anti-crushing protection	encoder/ electronic clutch
Operator weight	105 Lbs approx

USER 1 24V DG Maxi

- Management of one 24V motor
- Adjustable slowdown in opening and closing
- Motor speed adjustment
- Adjustable pedestrian opening
- 24V Led warning lamp
- Connector for RF radio receiver plug-in
- Working times self-learning
- Simplified programming through buttons and display
- Programming through JOLLY 3 palm also
- Adjustable amperometric type inversion on obstacle
- Photocells self-test
- Balanced or standard safety edge management
- Extractable terminals
- Separate torque adjustment for opening and closing
- Slowdown speed adjustment
- Emergency battery management through optional battery charging card
- Automatic, security and step by step type 1, step by step type 2, 2 buttons, dead-man logics
- Motor inversion and limit switch (right/left hand mounting)
- Automatic closing setting
- Start in pause setting
- Prepared for Master/Slave function
- Low consumption in standby-by
- Adjustable courtesy light output up to 4 minutes
- Setting number of cycles for assistance
- Settable photocell inputs
- Management of photocells 10K
- ...and many other functions



ACCESSORIES



G-LOCK
Magnetic Lock

OIL
Yellow oil in
1 quart bottle

SECLB
External release
with box and cable

Pinion for chain
type 50

PACKAGE LEPUS BOX 24V

N.1 LEPUS BOX 24V with control board

N.20 Ft of chain (type 40)

N.1 Receiver

N.2 Remote controls 433 Mhz

N.1 Installation accessories Kit

N.1 Installation instructions and general notice

N.1 Warning signboard

1 pc Pallet 18x17x H32 inches - 102 Lbs

12 pcs for pallet