



Lyra, Jack 1600

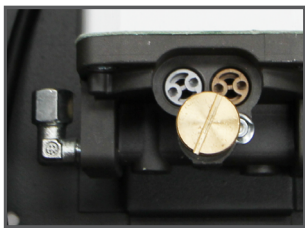
Hydraulic in-ground operator for residential swing gate with max. leaf length up to 13 Ft or 1600 Lbs max. weight



Jack 800



Lyra



Adjustable torque with
by pass valves



Cataphoresis treated and
polyester painted box
(included) for Lyra pump



Metal lock

- ▶ Noiseless and hydraulic reliability
- ▶ Version with separate in-ground hydraulic pump unit and hydraulic jack to be connected with copper pipes
- ▶ The functioning of the operator through oil and the inner lubrication of all mechanical components grant a long life
- ▶ Release with personalized key on hydraulic pump unit LYRA in case of electric power failure
- ▶ Version with adjustable hydraulic slow down for a soft approach of the leaf
- ▶ Cataphoresis treated steel foundation box included for Lyra pump

SPECIFICATIONS	LYRA, JACK 1600
Power supply	230 Vac 50/60 Hz
Power Consumption (W)	220 W
Operating T° range (F°)	-4°F to 131°F*
Opening 90° (sec)	7 sec
Cycles/hour	45
Duty	residential
Protection class	IP67
Max leaf length	13 feet
Max leaf weight	1600 lbs
Max opening angle (degrees)	110°
Maximum force output	170 daNm
Anti-crushing protection	electronic
Limit switch	mechanical
Slowdown	electronic
Battery backup	with batteries

UNIGATE - I

INVERTER technology



UNIGATE 2I (INVERTER)

- Digital control unit with LCD display
- Adjustable speed
- Adjustable acceleration/deceleration
- Continuous motor cycles
- High strength in slowdown
- Possibility to manage obstacle reverse

Integrated functions on the UNIGATE INVERTER

- 2 relay contacts
- 2 programmable GPIO outputs
- LE card on board for potentiometer
- Relay card on board
- PROBE heater card on board
- Management of two FV inverters for 2 motors or 2 PM modules for 4 motors
- Timer on board with buffer battery and management of 2 time bands
- 2 Ah switching transformer of which about 1.3 Ah free for other accessories



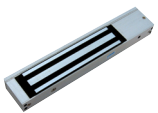
Advantages:

- + Duty cycles
- + Torque
- + Speed (adjustable)
- + one model 90V to 265V

PACKAGE LYRA
N.1 pc Operator Lyra
13x16x8H inches - 22 lbs
50 pcs for pallet

PACKAGE JACK
N.1 pc Operator Jack
8x16x5H inches - 28 lbs
50 pcs for pallet

ACCESSORIES



G-LOCK
Magnetic Lock



BAT7
Batteries with
box (7AH)



LOCK KIT 12V
Electric lock Counter-plate for horizontal or vertical
mounting external and internal cylinder



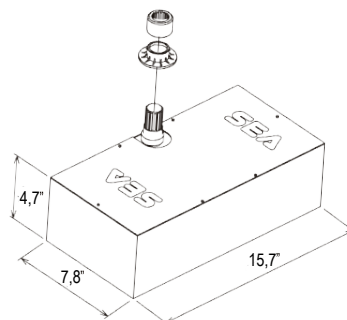
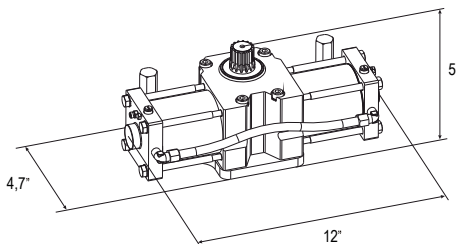
OIL
Green oil in
1 quart bottle



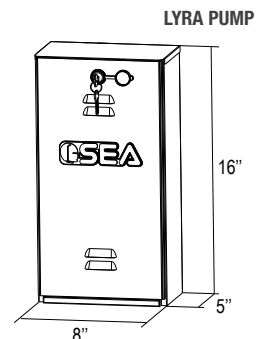
COP5
Coper pipe
Ø 8 (3,2 feet)



LOOP2F
Flexible pipes
Ø 8 (6,5feet)



Dimensions (inches)



LYRA PUMP